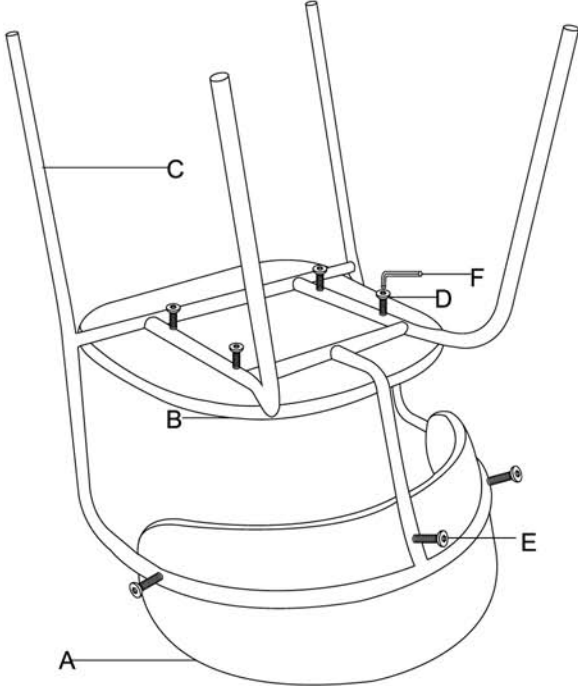
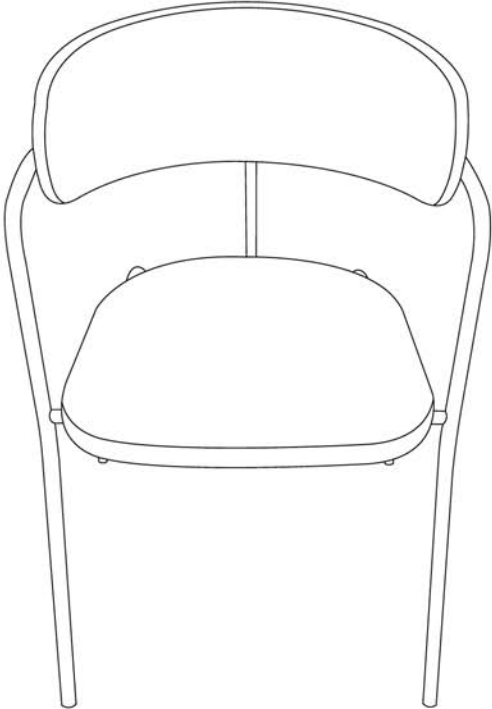








# Assembly Instruction (15021-894)

Art No.	Description
88888-1258	SP - Arrow armchair - Screw set
88888-1238	SP - Arrow armchair – Black Frame
88888-1230	SP - Arrow armchair - Flower Seat Backrest
88888-1231	SP - Arrow armchair - Flower Seat Cushion



Long screws for seat cushion  
and small screws for backrest



A	B	C	D	E	F
					
1	1	1	4	3	1
88888-1230	88888-1231	88888-1238	88888-1258		

※Important Note:

- 1, Start from the middle screw mounting, and tighten the screws 50% then move on to the screws on both sides.
- 2, Try to make the screws match the holes on the backrest, and this may need push a little harder to make the backrest the right place, then tighten the screws 50%.
- 3, At last, get back to the middle screws and tighten all screws fully.

※Please make sure that there is no gap between the frame and backrest when make the assembling!