









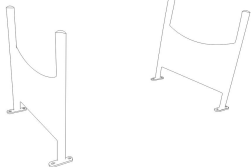
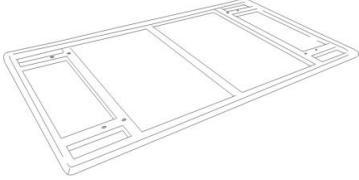






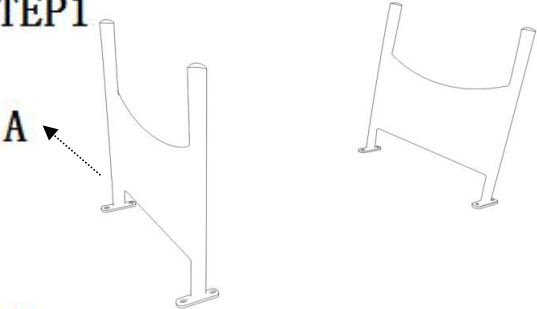
| NO. | PART | QTY. |
|-----|---|------|
| A |  | 2 |
| B |  | 2 |
| C |  | 2 |
| D |  | 1 |
| E |  | 12 |
| F |  | 8 |
| G |  | 8 |
| H |  | 16 |
| I |  | 8 |
| J |  | 1 |

ASSEMBLING INSTRUCTION

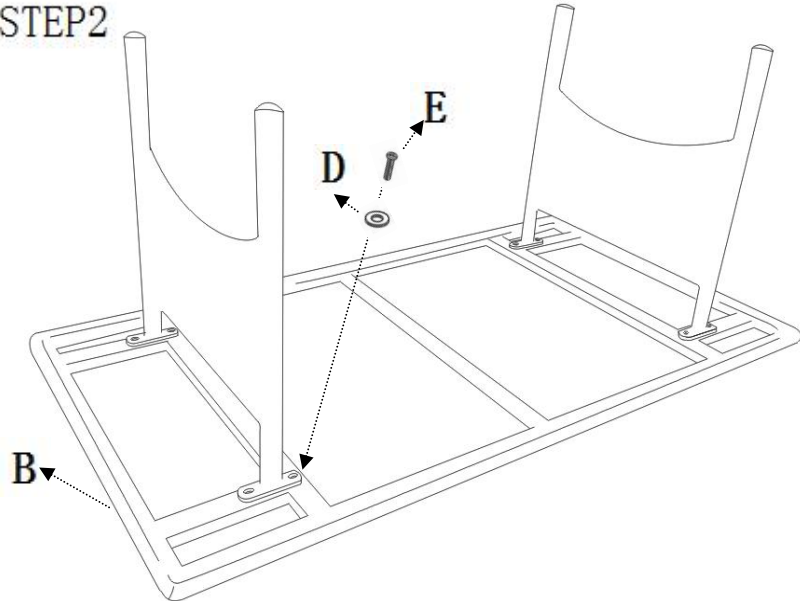
PART LIST

| NO. | PART | QTY. |
|-----|---|------|
| A |  | 2 |
| B |  | 1 |
| C |  | 1 |
| D |  | 8 |
| E |  | 8 |
| F |  | 1 |

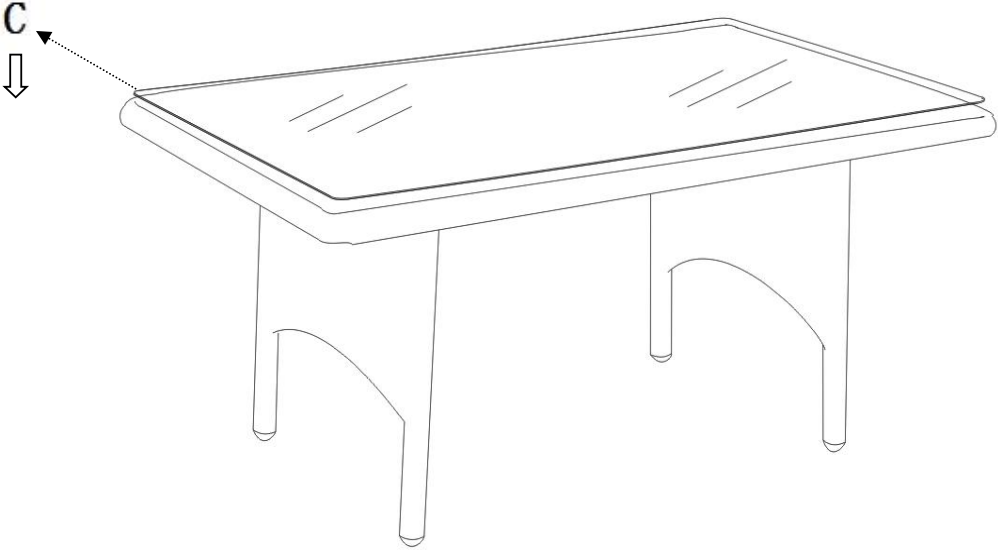
STEP1



STEP2



STEP3

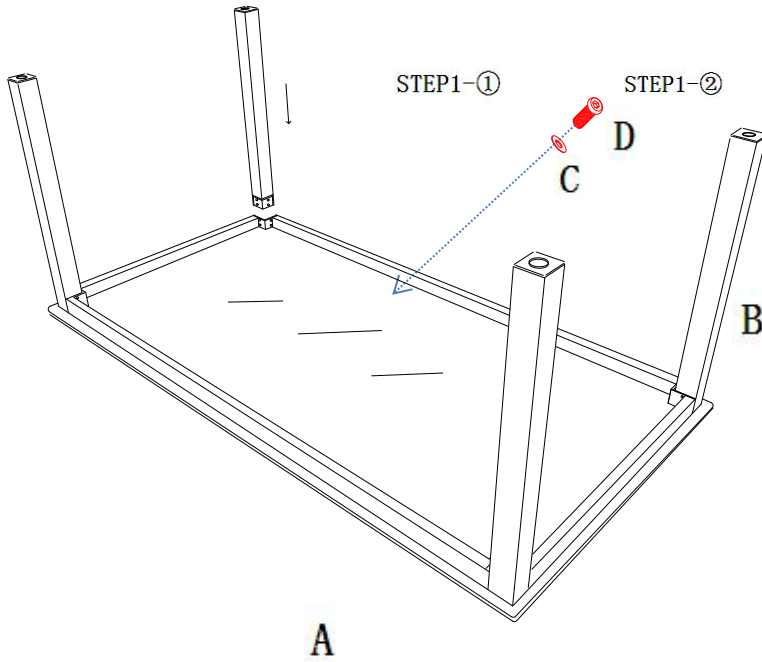


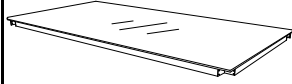



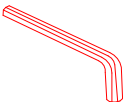
Assembly Instruction

MONTERINGSANVISNING | MONTAGEANLEITUNGEN



STEP1



| NO. | PART | QTY. |
|-----|---|------|
| A |  | 1 |
| B |  | 4 |
| C |  | 16 |
| D |  | 16 |
| E |  | 1 |

STEP2



ProductNumber:9570-400

Description:Llama Dining Table



@Venturehomese
@Venture.Design

Do not tighten screws until all screws
have been assembled !

Venture
home



